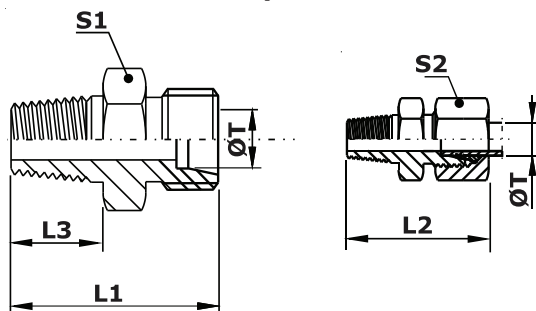


CONEXÕES DIN 8434-1



UM.....x... UNIÃO MACHO BSPT (KEG - Male stud connector)

BSPT
(DIN 3852-2, Type C)



Padrão DIN EN ISO 8434-1

Série:	Tubo Ø T	Rosca BSPT	Ref. União Macho BSPT	L	L1	L2	S1	L3	S2	Pressão (PN) bar		
										(S)	(SS)	(B)
LL	4	1/8 BSPT	UMS 4LLX1/8 BSPT	18	22	28	7/16	10	3/8	100	100	63
	6	1/8 BSPT	UMS 6LLX1/8 BSPT	16.5	22	28	7/16	10	1/2	100	100	63
	8	1/8 BSPT	UMS 8LLX1/8 BSPT	18.5	24	30	1/2	10	9/16	100	100	63
L	6	1/8 BSPT	UMS 6LX1/8 BSPT	17	24	32	1/2	10	9/16	315	315	200
	6	1/4 BSPT	UMS 6LX1/4 BSPT	23	30	38	11/16	14.5	9/16	315	315	200
	6	3/8 BSPT	UMS 6LX3/8 BSPT	23	30	38	3/4	14.5	9/16	315	315	200
	6	1/2 BSPT	UMS 6LX1/2 BSPT	29	36	44	7/8	19.5	9/16	315	315	200
	8	1/8 BSPT	UMS 8LX1/8 BSPT	18	25	33	9/16	10	11/16	315	315	200
	8	1/4 BSPT	UMS 8LX1/4 BSPT	23	30	38	11/16	14.5	11/16	315	315	200
	8	3/8 BSPT	UMS 8LX3/8 BSPT	23	30	38	3/4	14.5	11/16	315	315	200
	8	1/2 BSPT	UMS 8LX1/2 BSPT	29	36	44	7/8	19.5	11/16	315	315	200
	10	1/8 BSPT	UMS 10LX1/8 BSPT	18	25	33	11/16	10	3/4	315	315	200
	10	1/4 BSPT	UMS 10LX1/4 BSPT	24	31	39	11/16	14.5	3/4	315	315	200
	10	3/8 BSPT	UMS 10LX3/8 BSPT	25	32	40	3/4	14.5	3/4	315	315	200
	10	1/2 BSPT	UMS 10LX1/2 BSPT	30	37	45	7/8	19.5	3/4	315	315	200
	10	3/4 BSPT	UMS 10LX3/4 BSPT	31	38	46	1.3/16	19.5	3/4	315	315	----
	12	1/8 BSPT	UMS 12LX1/8 BSPT	19	26	34	3/4	10	7/8	315	315	200
	12	1/4 BSPT	UMS 12LX1/4 BSPT	25	32	40	3/4	14.5	7/8	315	315	200
	12	3/8 BSPT	UMS 12LX3/8 BSPT	25	32	40	3/4	14.5	7/8	315	315	200
	12	1/2 BSPT	UMS 12LX1/2 BSPT	30	37	45	7/8	19.5	7/8	315	315	200
	15	3/8 BSPT	UMS 15LX3/8 BSPT	26	33	41	15/16	14.5	1.1/16	315	315	----
	15	1/2 BSPT	UMS 15LX1/2 BSPT	31	38	46	15/16	19.5	1.1/16	315	315	200
	15	3/4 BSPT	UMS 15LX3/4 BSPT	32	39	47	1.3/16	19.5	1.1/16	315	315	----
	15	1 BSPT	UMS 15LX1 BSPT	38	45	53	1.3/8	24.5	1.1/16	315	315	----
	18	3/8 BSPT	UMS 18LX3/8 BSPT	26.5	34	43	1.1/16	14.5	1.1/4	315	315	----
	18	1/2 BSPT	UMS 18LX1/2 BSPT	31.5	39	48	1.1/16	19.5	1.1/4	315	315	200
	18	3/4 BSPT	UMS 18LX3/4 BSPT	31.5	39	48	1.3/16	19.5	1.1/4	315	315	----
	18	1 BSPT	UMS 18LX1 BSPT	37.5	45	54	1.3/8	24.5	1.1/4	315	315	----
	22	3/8 BSPT	UMS 22LX3/8 BSPT	29	36.5	45	1.1/4	14.5	1.3/8	160	160	----
	22	1/2 BSPT	UMS 22LX1/2 BSPT	33.5	41	50	1.1/4	19.5	1.3/8	160	160	----
	22	3/4 BSPT	UMS 22LX3/4 BSPT	33.5	41	50	1.1/4	19.5	1.3/8	160	160	100
	22	1 BSPT	UMS 22LX1 BSPT	39.5	47	56	1.3/8	24.5	1.3/8	160	160	----
	28	3/4 BSPT	UMS 28LX3/4 BSPT	34.5	42	51	1.5/8	19.5	1.5/8	160	160	----
	28	1 BSPT	UMS 28LX1 BSPT	39.5	47	56	1.5/8	24.5	1.5/8	160	160	----
	28	1.1/4 BSPT	UMS 28LX1.1/4 BSPT	41.5	49	58	1.7/8	25	1.5/8	160	160	----
35	1 BSPT	UMS 35LX1 BSPT	39.5	50	61	1.7/8	24.5	2	160	160	----	
35	1.1/4 BSPT	UMS 35LX1.1/4 BSPT	40.5	51	62	1.7/8	25	2	160	160	----	
42	1.1/4 BSPT	UMS 42LX1.1/4 BSPT	42	53	65	2.1/4	25	2.3/8	160	160	----	
42	1.1/2 BSPT	UMS 42LX1.1/2 BSPT	42	53	65	2.1/4	26	2.3/8	160	160	----	

Nota: Ref. dos itens da tabela em Aço Carbono (S)

Continua na Pag. 66

Séries construtivas: LL - Linha extra Leve / L - Linha Leve

Pressão (PN): É a pressão máx. de Trabalho.

Matéria-Prima: (S) - Aço Carbono / (SS) - Aço Inoxidável / (B) - Latão.

Ref. em Aço carbono (S) / Aço Inoxidável (SS) e Latão (B).

Ex.: UMS 12LX3/8 BSPT - Aço carbono / UMSS 18LX1/2 BSPT - Aço Inoxidável / UMB 10LX1/8 BSPT - Latão.

L2 = Dimensão aproximada com porca apertada.

Todos as conexões são fornecidas completas (Porca e Anel montadas na conexão)

Sob consulta a Milano pode fornecer quaisquer combinações de lado tubos com rosca BSPT.

IMPORTANTE: A Milano fornece toda a linha de conexões Padrão Nacional para tubos em milímetros ou polegadas.

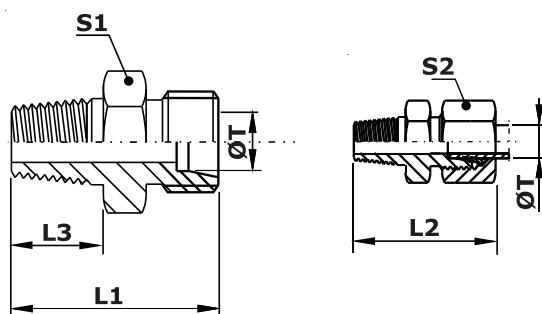
Consulte nosso Dpto de Vendas e/ou Dpto Técnico.

CONEXÕES DIN 8434-1



UM.....x... UNIÃO MACHO BSPT (KEG - Male stud connector)

BSPT
(DIN 3852-2, Type C)



Padrão DIN EN ISO 8434-1

Série : S	Tubo Ø T	Rosca BSPT	Ref. União Macho BSPT	L	L1	L2	S1	L3	S2	Pressão (PN) bar		
										(S)	(SS)	(B)
	6	1/8 BSPT	UMS 6SX1/8 BSPT	21	28	36	9/16	10	11/16	630	630	400
	6	1/4 BSPT	UMS 6SX1/4 BSPT	28	35	43	11/16	14.5	11/16	630	630	400
	6	3/8 BSPT	UMS 6SX3/8 BSPT	26	33	41	3/4	14.5	11/16	630	630	400
	6	1/2 BSPT	UMS 6SX1/2 BSPT	35	42	50	7/8	19.5	11/16	630	630	400
	8	1/4 BSPT	UMS 8SX1/4 BSPT	28	35	43	11/16	14.5	3/4	630	630	400
	8	3/8 BSPT	UMS 8SX3/8 BSPT	28	35	43	3/4	14.5	3/4	630	630	400
	8	1/2 BSPT	UMS 8SX1/2 BSPT	35	42	50	7/8	19.5	3/4	630	630	400
	10	1/4 BSPT	UMS 10SX1/4 BSPT	27.5	35	44	3/4	14.5	7/8	630	630	400
	10	3/8 BSPT	UMS 10SX3/8 BSPT	27.5	35	44	3/4	14.5	7/8	630	630	400
	10	1/2 BSPT	UMS 10SX1/2 BSPT	34.5	42	51	7/8	19.5	7/8	630	630	400
	10	3/4 BSPT	UMS 10SX3/4 BSPT	36.5	44	53	1.3/16	19.5	7/8	630	630	----
	12	1/4 BSPT	UMS 12SX1/4 BSPT	29.5	37	46	7/8	14.5	15/16	630	630	400
	12	3/8 BSPT	UMS 12SX3/8 BSPT	29.5	37	46	7/8	14.5	15/16	630	630	400
	12	1/2 BSPT	UMS 12SX1/2 BSPT	34.5	42	51	7/8	19.5	15/16	630	630	400
	12	3/4 BSPT	UMS 12SX3/4 BSPT	36.5	44	53	1.3/16	19.5	15/16	630	630	----
	14	3/8 BSPT	UMS 14SX3/8 BSPT	31	39	49	15/16	14.5	1.1/16	630	630	400
	14	1/2 BSPT	UMS 14SX1/2 BSPT	36	44	54	15/16	19.5	1.1/16	630	630	400
	14	3/4 BSPT	UMS 14SX3/4 BSPT	38	46	56	1.3/16	19.5	1.1/16	630	630	----
	14	1 BSPT	UMS 14SX1 BSPT	43	51	61	1.3/8	24.5	1.1/16	630	630	----
	16	3/8 BSPT	UMS 16SX3/8 BSPT	30.5	39	49	1.1/16	14.5	1.1/8	400	400	250
	16	1/2 BSPT	UMS 16SX1/2 BSPT	39.5	48	58	1.1/4	19.5	1.1/8	400	400	250
	16	3/4 BSPT	UMS 16SX3/4 BSPT	37.5	46	56	1.3/16	19.5	1.1/8	400	400	----
	16	1 BSPT	UMS 16SX1 BSPT	42.5	51	61	1.3/8	24.5	1.1/8	400	400	----
	20	1/2 BSPT	UMS 20SX1/2 BSPT	37.5	48	59	1.1/4	19.5	1.3/8	400	400	250
	20	3/4 BSPT	UMS 20SX3/4 BSPT	37.5	48	59	1.1/4	19.5	1.3/8	400	400	250
	20	1 BSPT	UMS 20SX1 BSPT	44.5	55	66	1.3/8	24.5	1.3/8	400	400	----
	25	3/4 BSPT	UMS 25SX3/4 BSPT	40	52	64	1.5/8	19.5	1.3/4	400	400	----
	25	1 BSPT	UMS 25SX1 BSPT	45	57	69	1.5/8	24.5	1.3/4	400	400	----
	25	1.1/4 BSPT	UMS 25SX1.1/4 BSPT	46	58	70	1.3/4	25	1.3/4	400	400	----
	25	1.1/2 BSPT	UMS 25SX1.1/2 BSPT	49	61	73	2	26	1.3/4	400	400	----
	30	3/4 BSPT	UMS 30SX3/4 BSPT	40.5	54	67	1.7/8	19.5	2	400	400	----
	30	1 BSPT	UMS 30SX1 BSPT	45.5	59	72	1.7/8	24.5	2	400	400	100
	30	1.1/4 BSPT	UMS 30SX1.1/4 BSPT	46.5	60	73	1.7/8	25	2	400	400	----
	30	1.1/2 BSPT	UMS 30SX1.1/2 BSPT	46.5	60	73	2	26	2	400	400	----
	38	1 BSPT	UMS 38SX1 BSPT	48	64	79	2.1/4	24.5	2.3/8	315	315	----
	38	1.1/4 BSPT	UMS 38SX1.1/4 BSPT	49	65	80	2.1/4	25	2.3/8	315	315	----
	38	1.1/2 BSPT	UMS 38SX1.1/2 BSPT	49	65	80	2.1/4	26	2.3/8	315	315	----

Nota: Ref. dos itens da tabela em Aço Carbono (S)

Continuação da Pag. 65

Séries construtivas: S - Linha pesada

Pressão (PN): É a pressão máx. de Trabalho.

Matéria-Prima: (S) - Aço Carbono / (SS) - Aço Inoxidável / (B) - Latão.

Ref. em Aço carbono (S) / Aço Inoxidável (SS) e Latão (B).

Ex.: UMS 12SX3/8 BSPT - Aço carbono / UMSS 20SX1/2 BSPT - Aço Inoxidável /
UMB 10SX1/4 BSPT - Latão.

L2 = Dimensão aproximada com porca apertada.

Todos as conexões são fornecidas completas (Porca e Anel montadas na conexão)

Sob consulta a Milano pode fornecer quaisquer combinações de lado tubos com roscas BSPT.

IMPORTANTE: A Milano fornece toda a linha de conexões Padrão Nacional para tubos em milímetros ou polegadas.
Consulte nosso Dpto de Vendas e/ou Dpto Técnico.