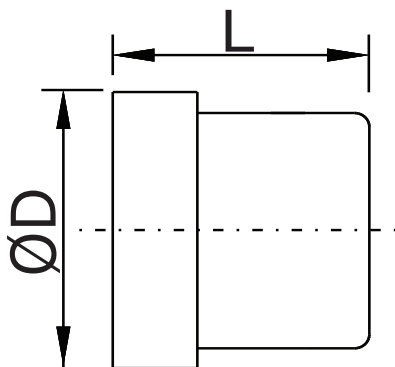


CONEXÕES SAE - JIC (ISO 8434-2 / SAE J514)

**Luva (Anel)
(sleeve)**

070115...



Ref.	Tubo	ØD	L
070115-4 C	1/4	10	10
070115-5 C	5/16	11	11
070115-6 C	3/8	13	13
070115-8 C	1/2	17	14
070115-10 C	5/8	20	17
070115-12 C	3/4	25	17
070115-14 C	7/8	28	19
070115-16 C	1	31	20
070115-20 C	1.1/4	39	23
070115-24 C	1.1/2	45	28
070115-32 C	2	61	30

Luva com ref. em Aço Carbono (C)

1 - Materiais das Luvas (Anel): **Aço Inoxidável (S) = 070115-8 S**
Latão (B) = 070115-8 B

2 - Consulte para luvas (Anéis) com tubos métricos (mm).